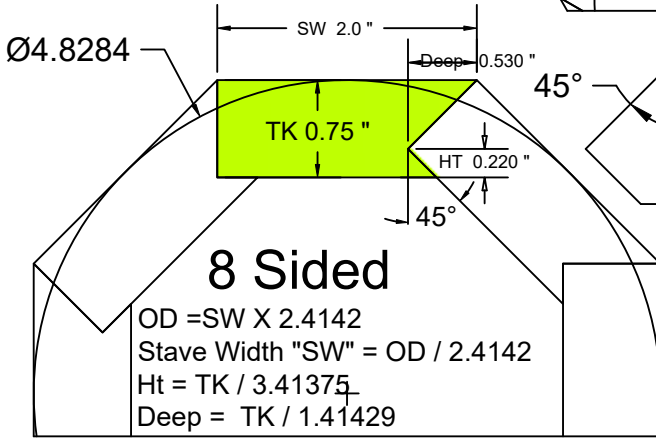
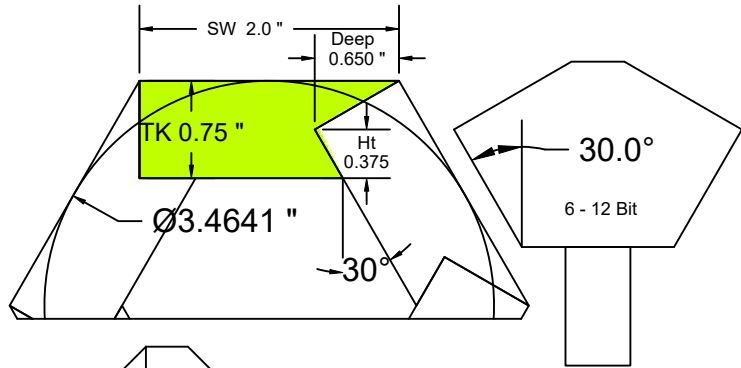


Bird Mouth Cutter Setup

6 Sided

$OD = SW \times 1.732$
 Stave Width "SW" = $OD / 1.732$
 $Ht = TK / 2$
 $Deep = TK / 1.15473$



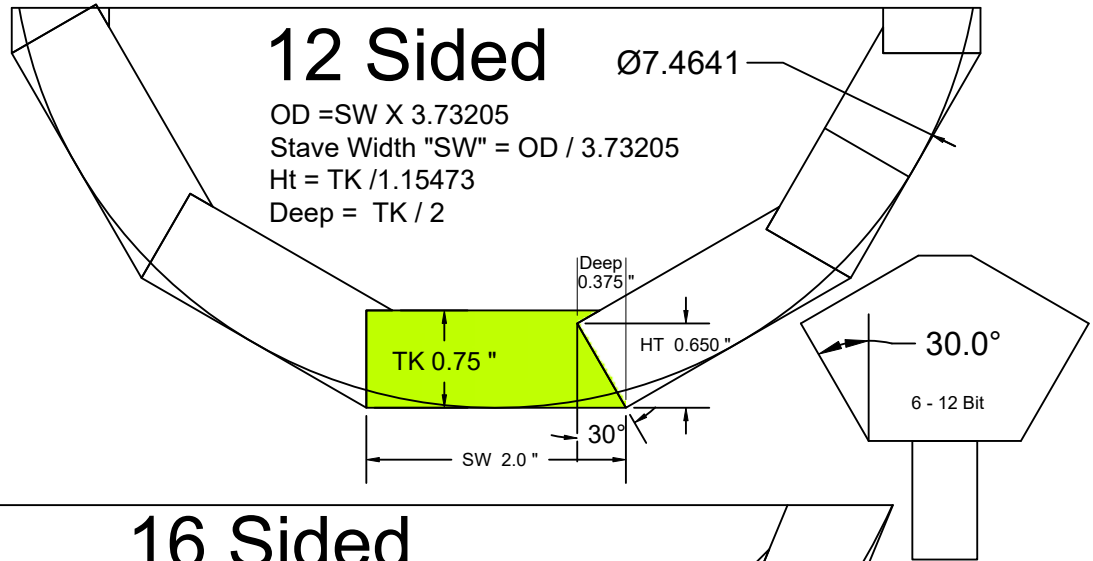
8 Sided

$OD = SW \times 2.4142$
 Stave Width "SW" = $OD / 2.4142$
 $Ht = TK / 3.41375$
 $Deep = TK / 1.41429$



12 Sided

$OD = SW \times 3.73205$
 Stave Width "SW" = $OD / 3.73205$
 $Ht = TK / 1.15473$
 $Deep = TK / 2$



16 Sided

$OD = SW \times 5.02735$
 Stave Width "SW" = $OD / 5.02735$
 $Ht = TK / 1.0824$
 $Deep = TK / 2.6087$

